



**Catalogue**  
**CATERING**  
**Chapter**  
**OVENS**

**Model**  
 APG-201 NG 230V 1N 60Hz

19011922

24/01/2019

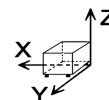
**GAS ADVANCE PLUS OVEN, APG-201**

High quality, fast cooking :  
 Professional quality and perfect results  
 Easy to use and efficient

- Capacity for 20 1/1-GN trays.
- Stainless steel burner with electronic control system with sparking plug ignition.
- Frequency modulation for the convection burner.
- “Touch control” screen.
- 4 cooking methods: Steam, Adjustable Steam (Humidity control during cooking), Regeneration and Convection (up to 300°C).
- Preheating option.
- Fagor Easy cooking mode.
- Fagor Cooking, range of cooking programmes.
- Fagor Multi-Tray System, control cooking by tray.
- Delayed programming for: Cooking, Low-temperature cooking and Washing.
- Memory function: records the different cooking methods used.
- 3 Speeds - 2 power ranges.
- Cold-Down chamber cooling system.
- “Auto-reverse” system to reverse fan rotation.
- 5 wash programmes.
- Multisensor temperature probe.
- PC management software: History, recipes. HACCP, manuals...
- HACCP cooking data recording system.
- Steam generator equipped with limescale detector.
- Steam generator automatically empties every 24 hours of cooking.
- Semi-automatic limescale removal system.
- Error detection system. “Repair service” mode system.
- IPX-5 protection.
- Retractable shower.
- Built-in trolley and structure for trays.

**DIMENSIONS**

|            |          |                |          |
|------------|----------|----------------|----------|
| X Width    | 929 mm   | X Gross width  | 1015 mm  |
| Y Depth    | 964 mm   | Y Gross depth  | 1100 mm  |
| Z Height   | 1841 mm  | Z Gross height | 2080 mm  |
| Net Weight | 360,0 kg | Gross Weight   | 426,0 kg |
| Net volume | 1,649 m3 | Gross volume   | 2,322 m3 |



**ELECTRICITY TECHNICAL SPECIFICATIONS**

|                    |           |
|--------------------|-----------|
| Electric power     | 2,400 kW  |
| Voltage            | 230V - 1N |
| Amperage           | 10,4      |
| Electric frequency | 60Hz      |

**GAS TECHNICAL SPECIFICATIONS**

|           |                                |
|-----------|--------------------------------|
| Gas type  | NG                             |
| Gas power | 36,00 kW                       |
| Regulated | NG G20/G25/G25.1 20/25/25 mbar |

**WATER TECHNICAL SPECIFICATIONS**

|                       |                         |
|-----------------------|-------------------------|
| Water max consumption | 30,00 L/h               |
| Pressure              | H2O: 200-400kPa(2-4bar) |

**OTHERS**

|             |          |
|-------------|----------|
| Noise level | 62,00 dB |
|-------------|----------|



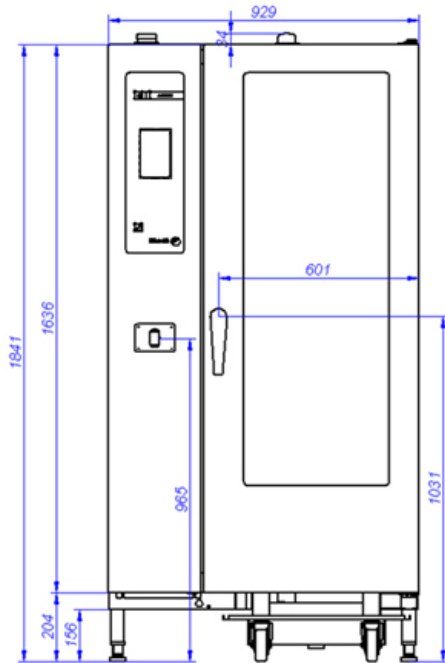
Catalogue  
**CATERING**

Chapter  
**OVENS**

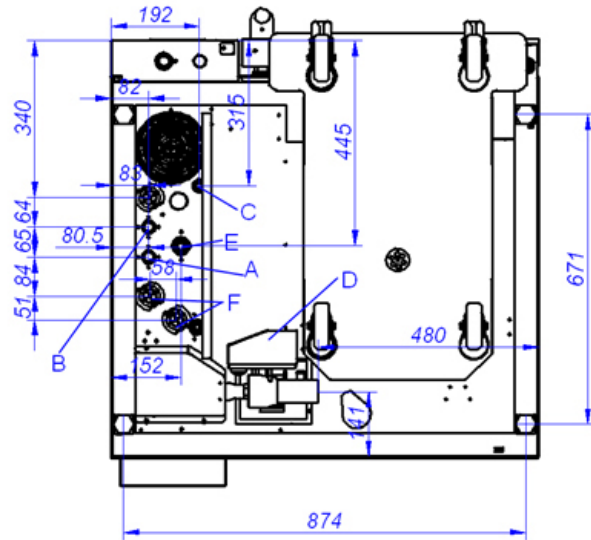
Model  
**APG-201 NG 230V 1N 60Hz**

19011922

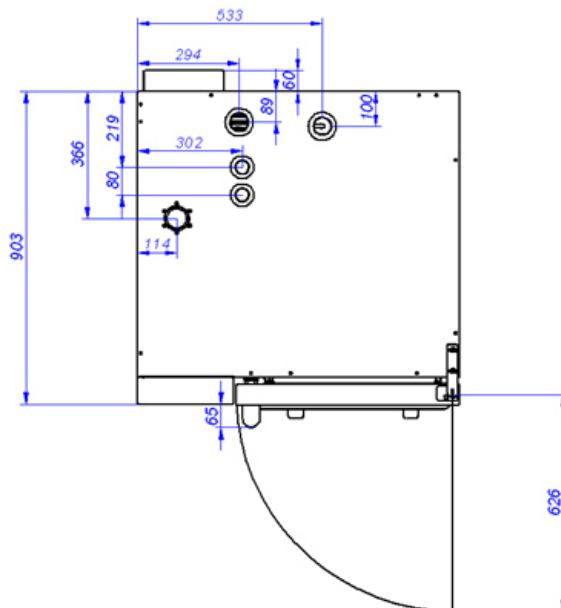
24/01/2019



**APG-201**



VISTA DE LA BASE DESDE LA PARTE INFERIOR  
VIEW FROM THE BOTTOM OF THE MACHINE



A: Entrada de agua blanda  
B: Entrada de agua dura  
D: Desagüe

C: Alimentación eléctrica

E: Entrada de gas

F: Entrada de aire

A: Soft water inlet  
B: Water inlet  
D: Drain

C: Electrical connection

E: Gas inlet

F: Air