



Catalogue
CATERING
Chapter
DISHWASHING

Model
CCO-320 D HW 380-415V 3N 60Hz

19048631

12/04/2019

CONVEYOR DISHWASHER CCO-320 D HW

All the main parts are manufactured in AISI-304 anti-corrosion stainless steel: tanks, washing and rinsing arms, rinsing jets, doors, basket conveyance system, boiler and metal tubes.

Upwards-opening double panel door.

Tank tray filters made of AISI-304 stainless steel, easy to access and remove for cleaning and access to the tank.

Safety filter for pump suction.

Rinsing boiler with heat insulation.

Easy access for installation. Electrovalve located on one side (no need to remove panels to connect the machine).

Electrical panel designed for easy connection of dosers for liquid and solid detergents, rinse aid, limit switches, supplementary emergency stop button.

Washing arms easily removable as a set, for cleaning, with a plug on each branch providing access for cleaning inside.

Rinse jets easily dismountable and removable.

System of electronic regulation of speeds by means of frequency shifter.

Configurable electronic temperature control:

- Wash (50 - 65 °C)

- Rinse (70 - 85 °C)

Guarantor of rinse at 85 °C.

Pressure regulator for flow control.

Emergency stop button incorporated.

Extra anti-entrapment protection system at the entrance, mounted on the AS-260 splash guard supplement, as standard.

Open door blocking system.

IPX4 protection system.

System for detection of blockage of conveyor carriage and automatic reverse function.

Prewash module with 3 upper and 3 lower washing branches.

High-power washing system with 5 upper and 5 lower washing branches.

3 washing programs: intensive (DIN10534), medium and high-capacity.

Double-effect rinse and triple-effect pre-rinse.

Energy-saving system: reduces consumption by halting operation of the pumps, and by passing the heating of the rinse to stand-by mode (70 °C).

Auto-timer which deactivates the conveyor motor after a pre-set period of inactivity (10 minutes).

Energy saving system in the wash: the wash does not start up until it detects the passage of the basket.

Rinse saving system. The rinse stops which the basket has left, saving water and energy.

Model prepared for entrance of baskets from the right side.

Model prepared for a hot water connection inlet (Inlet temperature > 50°C)

Equipment included:

2 base baskets, CT-10

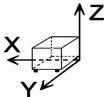
2 baskets for plates CP-16/18, 1 basket for

glasses CV-16/105, 1 basket for cutlery CT-10 R

Limit switch included.

DIMENSIONS

X Width	3250 mm	X Gross width	3350 mm
Y Depth	860 mm	Y Gross depth	960 mm
Z Height	1700 mm	Z Gross height	1900 mm
Net Weight	556,0 kg	Gross Weight	792,0 kg
Net volume	4,752 m3	Gross volume	6,110 m3



ELECTRICITY TECHNICAL SPECIFICATIONS

Electric power	47,300 kW
Heating power	41,00 kW
Voltage	380-415V - 3N
Amperage	79
Electric frequency	60Hz

WATER TECHNICAL SPECIFICATIONS

Pressure	H2O: 200-400kPa(2-4bar)
Water max consumption	240,00 L/h

CONNECTIONS TECHNICAL SPECIFICATIONS

230 V three-phase wiring	3X95+T - 200 A
Three-phase +N 40V wiring	4X25+T - 100 A
Hot diameter diameter	3/4"
Drain 1 diameter	38
Drain 2 diameter	38
Drain 3 diameter	38

OTHERS

Noise level	72,00 dB
-------------	----------

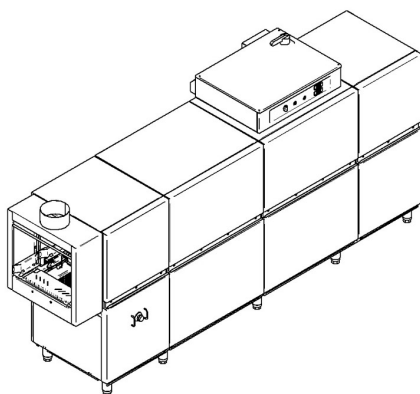
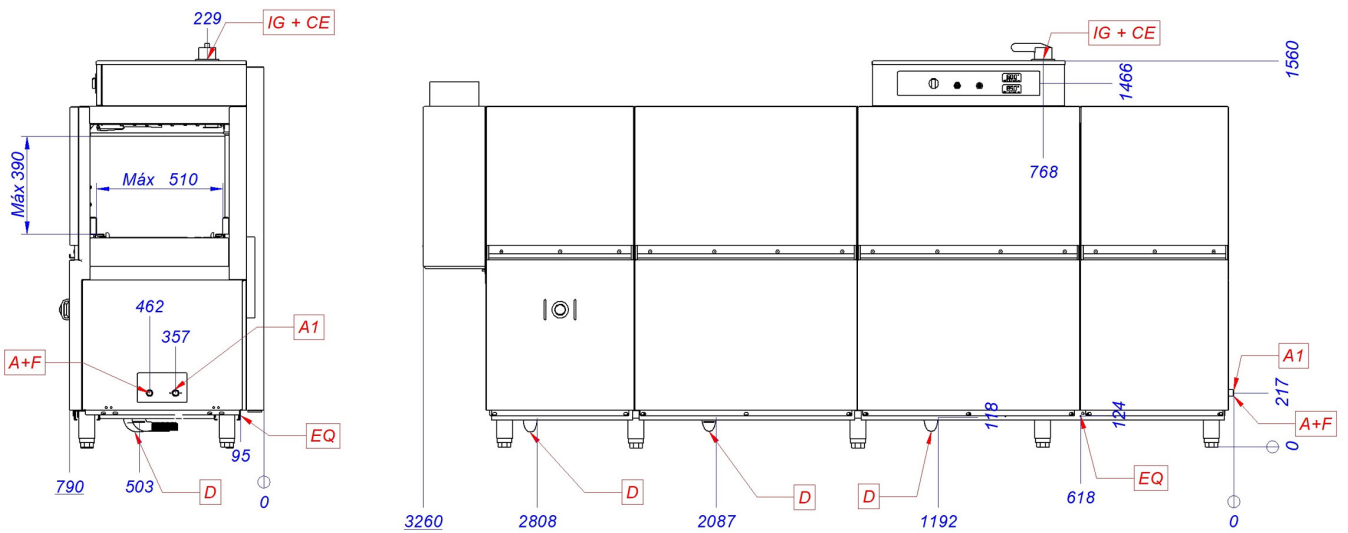
Catalogue
CATERING

Chapter
DISHWASHING

Model
CCO-320 D HW 380-415V 3N 60Hz

19048631

12/04/2019



A+F	Entrada de agua + filtro	Water inlet & filter	Entrée d'eau & filtrer
A1	Válvula de llenado	Fill valve	Vanne de remplissage
CE	Alimentación eléctrica	Power supply	Connexion électrique
D	Desagüe	Drain	Vindage
EQ	Toma equipotencial	Equipotential bonding terminal	Connexion Équipotentielle
IG	Interruptor general	General switch	Interrupteur général